



Hewlett Packard
Enterprise

HPE BladeSystem c7000 Enclosure

Setup and Installation Guide

Abstract

This guide describes identification, operations, setup, configuration and utilities, troubleshooting, regulatory notices, specifications, and technical support. This guide is for an experienced service technician. Hewlett Packard Enterprise assumes you are qualified in the servicing of computer equipment, trained in recognizing hazards in products, and are familiar with weight and stability precautions.

Part Number: 411272-401R
November 2015
Edition: 11

© Copyright 2006, 2015 Hewlett Packard Enterprise Development LP

The information contained herein is subject to change without notice. The only warranties for Hewlett Packard Enterprise products and services are set forth in the express warranty statements accompanying such products and services. Nothing herein should be construed as constituting an additional warranty. Hewlett Packard Enterprise shall not be liable for technical or editorial errors or omissions contained herein.

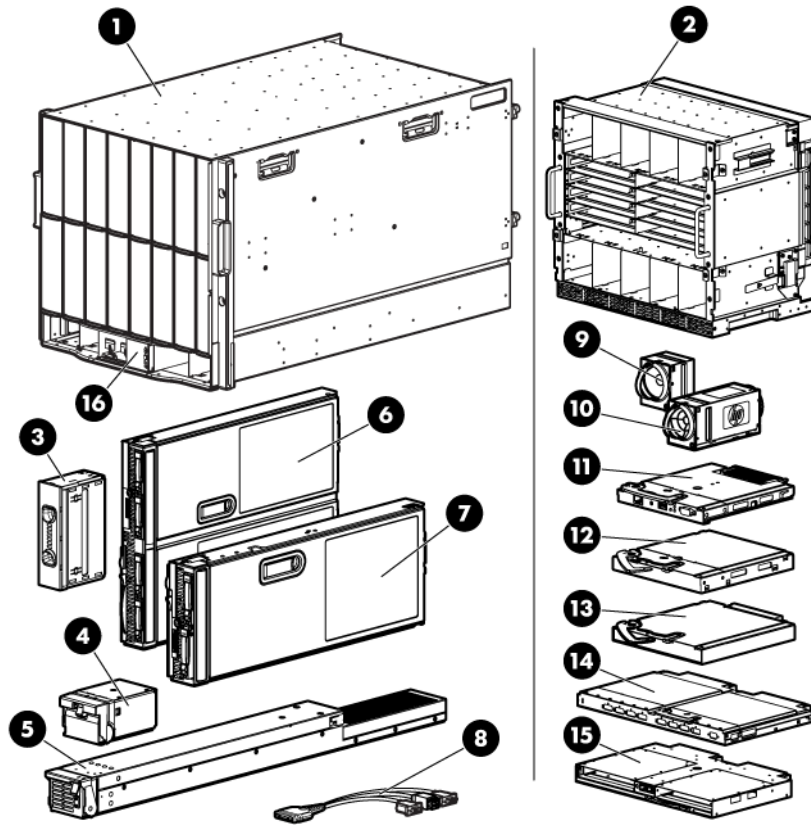
Contents

- Planning the installation 5
 - Verifying the pallet contents 5
 - Rack requirements 6
 - Rack-free environment requirements 7
 - Warning, caution, and important messages 7
 - Space and airflow requirements 9
 - Temperature requirements 9
 - Power requirements 9
 - Grounding requirements 10
- Component and LED identification 11
 - Enclosure front components 11
 - Power supply bay numbering 12
 - Power supply LEDs 12
 - Device bay numbering 12
 - HPE BladeSystem Insight Display components 14
 - Location Discovery Services 14
 - Enclosure rear components 15
 - Fan bay numbering 16
 - Fan LED 17
 - Onboard Administrator components 17
 - HPE c7000 Onboard Administrator with KVM components 18
 - Interconnect bay numbering 19
- Installation 20
 - Installation overview 20
 - Disassembling the enclosure 20
 - Rack-free installation 23
 - Rack installation 23
 - Measuring with the rack template 24
 - Installing the rack rails 24
 - Installing the enclosure into the rack 25
 - Installing the rear cage into the enclosure 27
 - Component installation 28
 - Installing a power supply 28
 - Installing blades 29
 - Connecting locally to a server blade with video and USB devices 39
 - Installing fans 41
 - Installing Onboard Administrator modules 43
 - Installing interconnect modules 45
- Cabling and powering up the enclosure 55
 - Cabling the enclosure 55
 - Onboard Administrator cabling 55
 - Enclosure link cabling 56
 - Cabling a PC to the enclosure service port 57
 - Cabling the network to the enclosure 58
 - Powering up the enclosure 58
 - Single-phase AC configuration 58
 - Three-phase AC configuration 63
- HPE BladeSystem Insight Display 64
 - Insight Display overview 64
 - Running the Insight Display installation steps 64
 - Navigating the Insight Display 68

Health Summary screen	69
Enclosure Settings screen	72
Enclosure Info screen	72
Blade and Port Info screen	73
Turn Enclosure UID On/Off screen	74
View User Note screen	76
Chat Mode screen	76
Troubleshooting	77
Troubleshooting resources	77
Important safety information	77
Symbols on equipment	77
Warnings and cautions	78
Insight Display errors	79
Power errors	79
Cooling errors	80
Location errors	80
Configuration errors	80
Device failure errors	80
Support and other resources	82
Accessing Hewlett Packard Enterprise Support	82
Information to collect	82
Accessing updates	82
Websites	82
Customer Self Repair	83
Remote support	91
Warranty and regulatory information	92
Warranty information	92
Regulatory information	92
Safety and regulatory compliance	92
Belarus Kazakhstan Russia marking	92
Turkey RoHS material content declaration	93
Ukraine RoHS material content declaration	93
Electrostatic discharge	94
Preventing electrostatic discharge	94
Grounding methods to prevent electrostatic discharge	94
Acronyms and abbreviations	95
Documentation feedback	96
Index	97

Planning the installation

Verifying the pallet contents



Item	Name	Description
1	HPE BladeSystem c7000 Enclosure	The HPE BladeSystem enclosure
2	Rear cage	The rear section of the enclosure
3	Device bay blank	A mandatory insert installed in any unused device bay
4	Power supply blank	A mandatory insert installed in any unused power supply bay
5	Enclosure hot-plug power supply (quantity as ordered)	The power supply for the enclosure
6	Full-height device (quantity as ordered)	The full-height server or storage blade
7	Half-height device (quantity as ordered)	The half-height server or storage blade
8	Local I/O cable	A cable with serial, USB, and video connectors that connects to the I/O connector on the front of a blade
9	Fan blank	A mandatory insert installed in any unused fan bay
10	HPE Active Cool 200 Fan (quantity as ordered)	A fan used to cool the components installed in the enclosure
11	Onboard Administrator module	Hot-pluggable enclosure management module. One module is required to manage the components